

Rittal – The System.

Faster – better – everywhere.

Digital Brochure

ENCLOSURES

POWER DISTRIBUTION

CLIMATE CONTROL

IT INFRASTRUCTURE

SOFTWARE & SERVICES



Plastic Enclosures KS



System Accessories Page 421

Material:

- Housing and door: Fiberglass-reinforced unsaturated polyester
- Door: All-round foamed-in PU seal
- Mounting plate: Carbon steel
- Viewing window: Glazed acrylic, 3.0 mm with all-round rubber cable clamp strip

Surface finish:

- Housing and door: Dyed plastic with no after-treatment
- Mounting plate: Zinc-plated

Color:

- Similar to RAL 7035

Supply includes:

- Housing with hinged door, of all-round solid construction, 3 mm double-bit lock
- Mounting plate

- Twin seal on the top and bottom edges of the door as integral rain protection strip
- Press-fitted C sections at the sides for infinitely variable mounting plate depth adjustment

Please note the product-specific scope of supply.

Note:

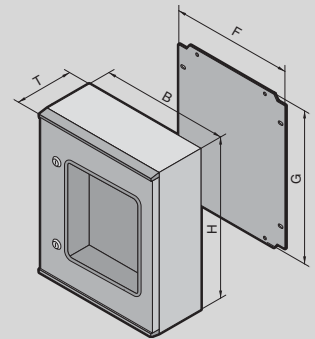
- Under the influence of long-term UV radiation (sunlight) in conjunction with wind and rain, the surface finish may become visually impaired. This does not affect the protection of the installed electrical components in any way. If the enclosures cannot be protected from UV radiation, we recommend that they should be painted with a PUR paint. Permissible ambient temperature -22...+167°F.

Approvals:

- TÜV
- Germanischer Lloyd
- Russian Maritime Register of Shipping
- Lloyds Register of Shipping
- Bureau Veritas

Technical details:

Available on the Internet



	Packs of	12 (300)	14 (350)	16 (400)	16 (400)	16 (400)	24 (600)	24 (600)	20 (500)	Page
Height (H) inches (mm)										
Width (B) inches (mm)		8 (200)	10 (250)	12 (300)	16 (400)	16 (400)	16 (400)	16 (400)	20 (500)	
Depth (T) inches (mm)		6 (150)	6 (150)	8 (200)	8 (200)	8 (200)	8 (200)	8 (200)	12 (300)	
Mounting plate width (F) inches (mm)		6 (145)	8 (195)	10 (245)	14 (345)	14 (345)	14 (345)	14 (345)	16 (417)	
Mounting plate height (G) inches (mm)		10 (250)	12 (300)	14 (350)	14 (350)	14 (350)	22 (550)	22 (550)	18 (450)	
Mounting plate thickness ga (mm)		14 (2.0)	14 (2.0)	14 (2.0)	12 (2.5)	12 (2.5)	12 (2.5)	12 (2.5)	12 (2.5)	
Model No.	1 pc(s).	1423.500	1432.500	1434.500	1444.500	1448.500	1446.500	1449.500	1453.500	
Weight lb (kg)		7 (3.4)	9 (4.3)	13 (5.9)	17 (7.9)	18 (8.0)	25 (11.5)	25 (11.2)	30 (13.5)	
Protection category IP to IEC 60 529		IP 66	IP 66	IP 66	IP 66	IP 56	IP 66	IP 56	IP 66	
Protection category NEMA		NEMA 4X	NEMA 4X	NEMA 4X	NEMA 4X	NEMA 12	NEMA 4X	NEMA 12	NEMA 4X	

Product-specific scope of supply

Door(s)		1	1	1	1	1	1	1	1	
Door catch on right, may be swapped to the left		■	■	■	■	■	■	■	■	
Removable center bar, lockable door on right		–	–	–	–	–	–	–	–	
Viewing window		–	–	–	–	■	–	■	–	
Cam lock		1	1	2	2	2	2	2	2	
3-point locking system		–	–	–	–	–	–	–	–	


Accessories

Mounting Plate Depth Adjustment	4 pc(s).	1481.000	1481.000	1481.000	1481.000	1481.000	1481.000	1481.000	1491.000	510
Threaded Inserts M6	20 pc(s).	1482.000	1482.000	1482.000	1482.000	1482.000	1482.000	1482.000	1482.000	539
Pole Clamp	One set(s)	2584.000	2584.000	2584.000	2584.000	2584.000	2584.000	2584.000	2584.000	505
Wall Mounting Bracket	4 pc(s).	1483.010	1483.010	1483.010	1483.010	1483.010	1483.010	1483.010	1483.010	504
Lock Systems		from page	from page	from page	from page	from page	from page	from page	from page	478

Plastic Enclosures KS

Height (H) inches (mm)	Packs of	20 (500)	24 (600)	24 (600)	32 (800)	32 (800)	39 (1000)	39 (1000)	39 (1000)	Page
Width (B) inches (mm)		20 (500)	24 (600)	24 (600)	24 (600)	24 (600)	32 800	32 800	39 (1000)	
Depth (T) inches (mm)		12 (300)	8 (200)	8 (200)	12 (300)	12 (300)	12 (300)	12 (300)	12 (300)	
Mounting plate width (F) inches (mm)		16 (417)	22 (545)	22 (545)	20 (517)	20 (517)	28 (717)	28 (717)	36 (917)	
Mounting plate height (G) inches (mm)		18 (450)	22 (550)	22 (550)	30 (750)	30 (750)	37 (950)	37 (950)	37 (950)	
Mounting plate thickness ga (mm)		12 (2.5)	12 (2.5)	12 (2.5)	11 (3.0)	11 (3.0)	11 (3.0)	11 (3.0)	11 (3.0)	
Model No.	1 pc(s).	1454.500	1466.500	1467.500	1468.500	1469.500	1479.500	1480.500	1400.500	
Weight lb (kg)		30 (13.4)	35 (15.9)	34 (15.6)	58 (26.5)	57 (26.0)	88 (39.9)	92 (41.7)	114 (51.6)	
Protection category IP to IEC 60 529		IP 56	IP 66	IP 56	IP 66	IP 56	IP 56	IP 66	IP 56	
Protection category NEMA		NEMA 12	NEMA 4X	NEMA 12	NEMA 4X	NEMA 12	NEMA 12	NEMA 4X	NEMA 12	
Product-specific scope of supply										
Door(s)		1	1	1	1	1	1	1	2	
Door catch on right, may be swapped to the left		■	■	■	■	■	■	■	-	
Removable center bar, lockable door on right		-	-	-	-	-	-	-	■	
Viewing window		■	-	■	-	■	■	-	-	
Cam lock		2	2	2	-	-	-	-	-	
3-point locking system		-	-	-	■	■	■	■	■	
Accessories										
Mounting Plate Depth Adjustment	4 pc(s).	1491.000	1481.000	1481.000	1491.000	1491.000	1491.000	1491.000	1491.000	510
Threaded Inserts M6	20 pc(s).	1482.000	1482.000	1482.000	1482.000	1482.000	1482.000	1482.000	1482.000	539
Pole Clamp	One set(s)	2584.000	2584.000	2584.000	2584.000	2584.000	2584.000	2584.000	2584.000	505
Wall Mounting Bracket	4 pc(s).	1483.010	1483.010	1483.010	1483.010	1483.010	1483.010	1483.010	1483.010	504
Lock Systems		from page	from page	from page	from page	from page	from page	from page	from page	478

Accessories



Spare Filter Mats

See page 307